



15.6" Touch Monitor

Model : HD156C

Views



Features

- **24/7 Commercial Use**

A-grade LCD panel, 10-points capacitive touch

- **Accurate Touch Control**

Explosion-proof glass, smooth and precise

- **Stylish Appearance**

Industry-leading ultra-narrow screen bezel-10mm

- **Rugged Visual Experience**

Surface IP65 waterproof, vivid LED display



Tech Specs

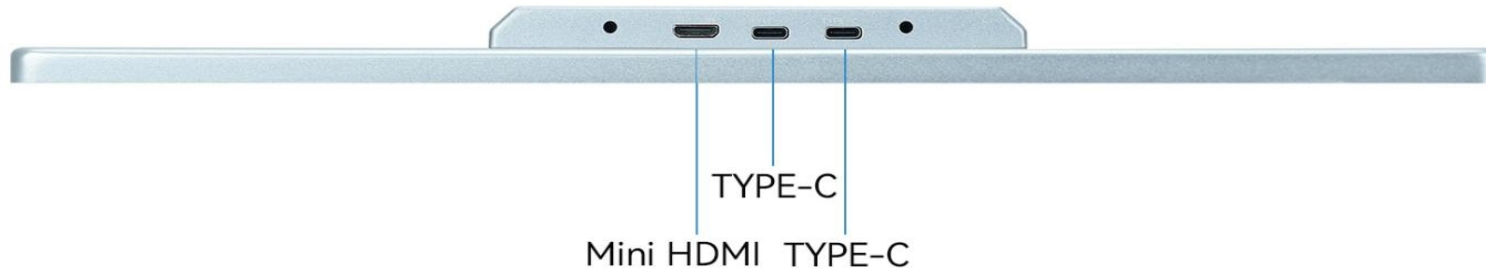
LCD Panel		Touch Panel	
Screen diagonal	15.6inch	Touch technology	PCAP
Physical resolution	1920*1080	Response time	<5ms
Aspect ratio	16:9	Touch points	10 points standard
Display active screen size (mm)	345.2*194.6mm	Touch effective recognition	>1.5mm
Colours displayed	16.7M	Scanning Frequency	200Hz
Brightness (cd/m ²)	≥250	Scanning accuracy	4096 * 4096
Contrast	800:1	Working Current/Voltage	180Ma/DC+5V±5%
Visual Angle H/V (°)	178/178	Surface Hardness	Mohs class 7 explosion-proof glass
Backlight Lifetime (hours)	LED 15000		
Refrash Rate	60 Hz		

Operation Environment		Dimension	
Operation Temperature	0°C-50°C	Machine(cm)	36.76 (W) * 22 (H) *2.2 (T)
Operation Humidity	10% - 80%	Package(cm)	52.5 (W) * 31.5 (H) *10.5 (T)
Storage Temperature	-5°C-60°C	Net weight	1.26 kg
Storage Humidity	10% - 85%	Gross weight	2.26 kg

Power supply parameters

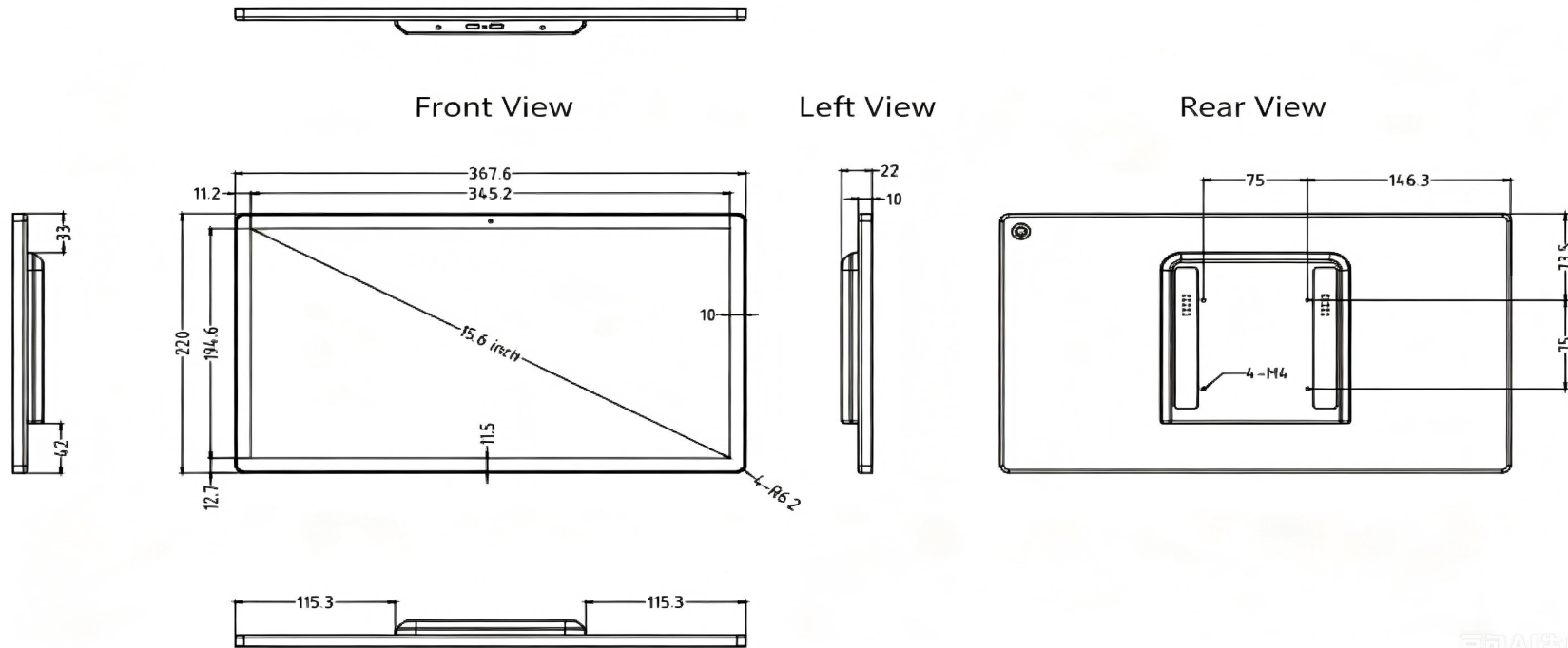
Power Input	110-240V AC 50/60Hz	Included in the Delivery	Manual	* 1
Power Output	DC 12V3A		Wall mount bracket	* 1
Standby power consumption	≤0.5W		Type_C All-in-One Data Cable	* 1
Overall power consumption	<20W		Power Adapter&cable	* 1

External Connectors



Type-C	* 2	Mini HDMI out	* 1
--------	-----	---------------	-----

Dimension Drawing



Use Case

