

# TouchWo®

## 15.6" Android Touch PC

Model : HD156C1

### Views



### Features

- **24/7 Commercial Use**

A-grade LCD panel, 10-points capacitive touch

- **Accurate Touch Control**

Explosion-proof glass, smooth and precise

- **Stylish Appearance**

Industry-leading ultra-narrow screen bezel-10mm

- **Rugged Visual Experience**

Surface IP65 waterproof, vivid LED display



## Tech Specs

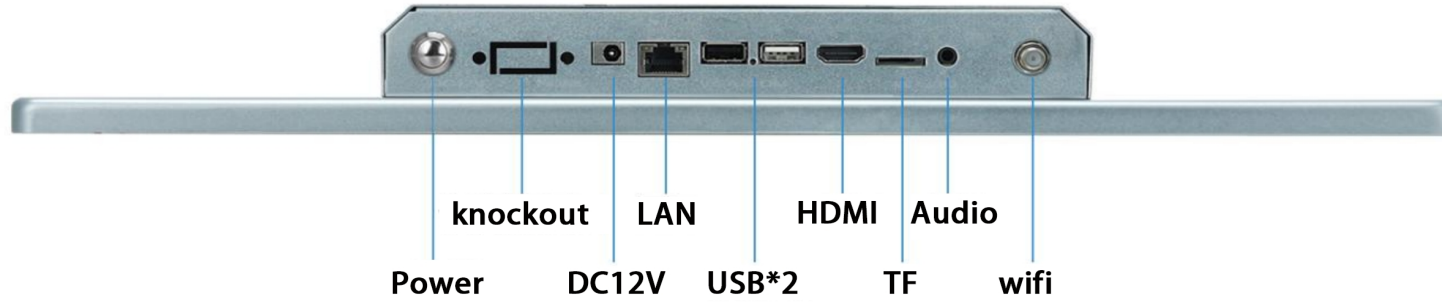
LCD Panel		Touch Panel	
Screen diagonal	15.6inch	Touch technology	PCAP
Physical resolution	1920*1080	Response time	<5ms
Aspect ratio	16:9	Touch points	10 points standard
Display active screen size (mm)	345.2*194.6mm	Touch effective recognition	>1.5mm
Colours displayed	16.7M	Scanning Frequency	200Hz
Brightness (cd/m <sup>2</sup> )	≥250	Scanning accuracy	4096 * 4096
Contrast	800:1	Working Current/Voltage	180Ma/DC+5V±5%
Visual Angle H/V (°)	178/178	Surface Hardness	Mohs class 7 explosion-proof glass
Backlight Lifetime (hours)	LED 15000		
Refrash Rate	60 Hz		

Operation Environment		Dimension	
Operation Temperature	0°C-50°C	Machine(cm)	36.76 (W) * 22 (H) *3.12 (T)
Operation Humidity	10% - 80%	Package(cm)	52.5 (W) * 31.5 (H) *10.5 (T)
Storage Temperature	-5°C-60°C	Net weight	1.36 kg
Storage Humidity	10% - 85%	Gross weight	2.36 kg

<b>Operating System-Android</b>	<b>CPU</b>	Rockchip RK3568	Rockchip RK3588	Rockchip RK3576
	<b>Graphic GPU</b>	ARM G52 2EE	Mali-G610	Arm Mali-G52
	<b>Memory</b>	2G (4G optional)	4G (8G optional)	4G (8G optional)
	<b>Storage</b>	32G eMMC	64G eMMCG(128G optional)	32G eMMCG(128G optional)
	<b>Network</b>	10/100 RJ45, 802.11a/b/g/n/ac Wifi6	100/1000M RJ45, 802.11a/b/g/n/ac Wifi6	
	<b>Pre-installed OS</b>	Andorid11	Andorid12	Andorid14

<b>Power supply parameters</b>	Power Input	110-240V AC 50/60Hz	Manual	* 1	
	Power Output	DC 12V3A	<b>Included in the Delivery</b>	Wall mount bracket	* 1
	Standby power consumption	≤0.5W		WIFI antenna	* 1
	Overall power consumption	<20W	Power Adapter&cable	* 1	

## External Connectors



RJ45 Port \* 1

Power Socket \* 1

USB \* 2

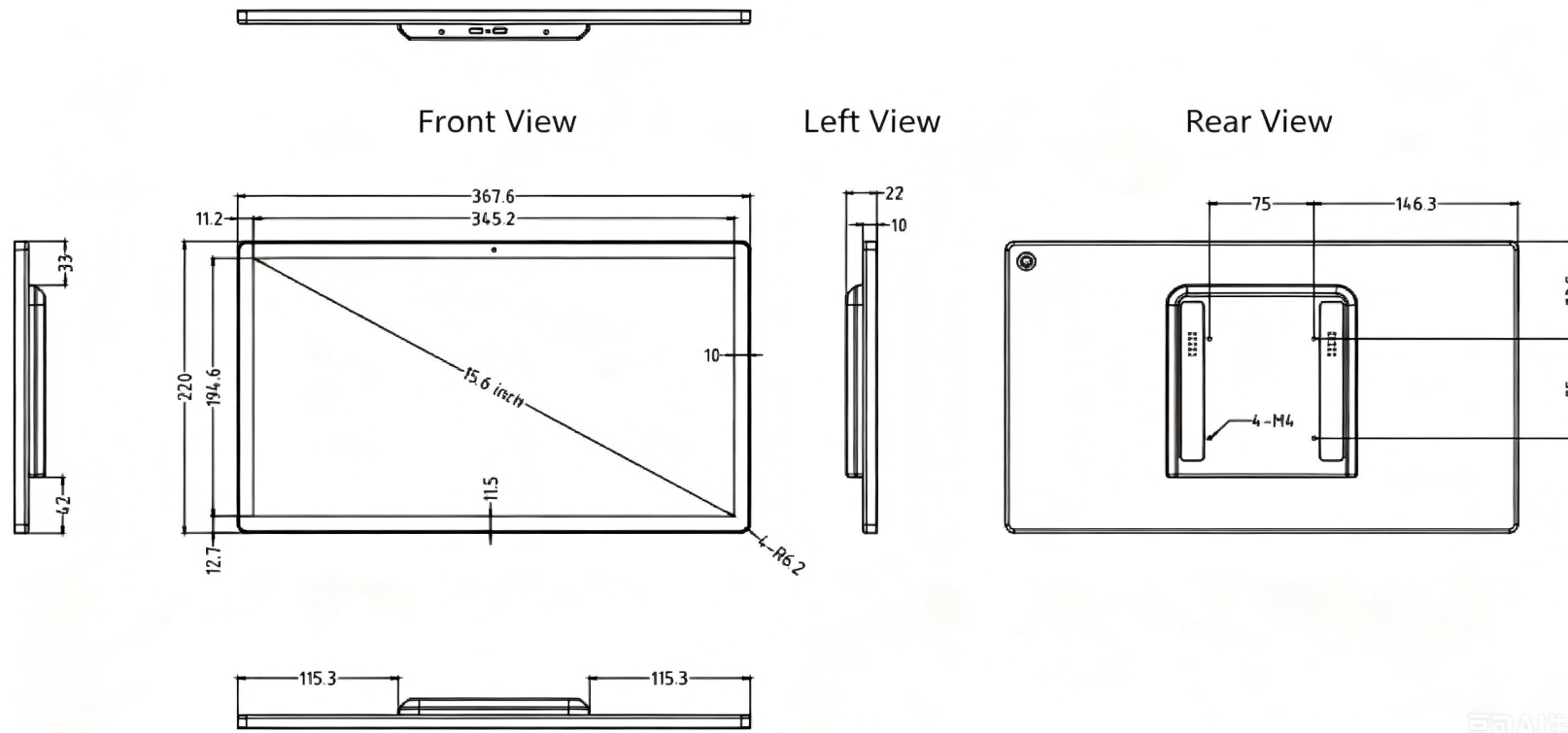
HDMI out \* 1

TF slot \* 1

Audio in&out \* 1

Optional to extend USB/RS232/TTL

## Dimension Drawing



豆包AI生成

## Use Case

