

TouchWo®

15.6" Touch PC

Model : HD156C1

Views



Features

- **24/7 Commercial Use**

A-grade LCD panel, 10-points capacitive touch

- **Accurate Touch Control**

Explosion-proof glass, smooth and precise

- **Stylish Appearance**

Industry-leading ultra-narrow screen bezel-10mm

- **Rugged Visual Experience**

Surface IP65 waterproof, vivid LED display

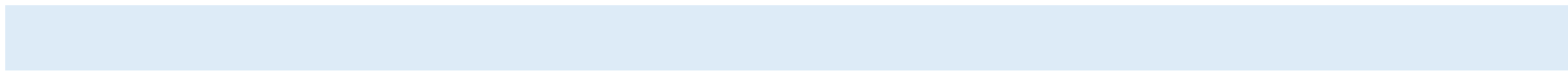
CE FC RoHS

Tech Specs

LCD Panel		Touch Panel	
Screen diagonal	15.6inch	Touch technology	PCAP
Physical resolution	1920*1080	Response time	<5ms
Aspect ratio	16:9	Touch points	10 points standard
Display active screen size (mm)	345.2*194.6mm	Touch effective recognition	>1.5mm
Colours displayed	16.7M	Scanning Frequency	200Hz
Brightness (cd/m ²)	≥250	Scanning accuracy	4096 * 4096
Contrast	800:1	Working Current/Voltage	180Ma/DC+5V±5%
Visual Angle H/V (°)	178/178	Surface Hardness	Mohs class 7 explosion-proof glass
Backlight Lifetime (hours)	LED 15000		
Refrash Rate	60 Hz		

Operation Environment		Dimension	
Operation Temperature	0°C-50°C	Machine(cm)	36.76 (W) * 22 (H) *3.67 (T)
Operation Humidity	10% - 80%	Package(cm)	52.5 (W) * 31.5 (H) *10.5 (T)
Storage Temperature	-5°C-60°C	Net weight	1.56 kg
Storage Humidity	10% - 85%	Gross weight	2.56 kg

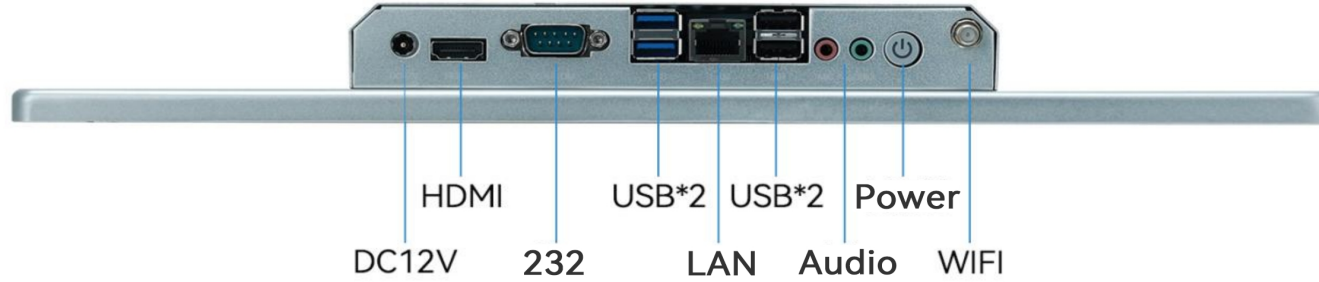
PC System- Windows	CPU	Intel Celeron N5095	Intel® Core™ i5-7300U	Intel® Core™ i5-10Gens
	Graphic GPU	Intel® UHD Graphics	Intel® HD Graphics 620	Intel® UHD Graphics
	Audio	HD Audio: ALC269	Intel® High Definition Audio	HD Audio: ALC897
	Memory	DDR4-2666MHz-SODIMM-8/16G	DDR4-2666MHz-SODIMM-8G/16/32G	DDR4-2666MHz-SODIMM-16G/32G
	Storage	mSATA/SSD-128GB/256GB	mSATA/SSD-128/256GB	mSATA/SSD-128/256GB
	Network	10/100/1000M RJ45, 802.11a/b/g/n/ac Wifi		
	Pre-installed OS	Windows 10 /11/Linux 10/100/1000M RJ45, 802.11a/b/g/n/ac Wifi		



Power supply parameters	Power Input	110-240V AC 50/60Hz	Manual	* 1
	Power Output	DC 12V5A	Wall mount bracket	* 1
	Standby power consumption	≤0.5W	WIFI antenna	* 1
	Overall power consumption	<60W	Power Adapter&cable	* 1

**Included in the
Delivery**

External Connectors



RJ45 Ports * 1

USB * 4

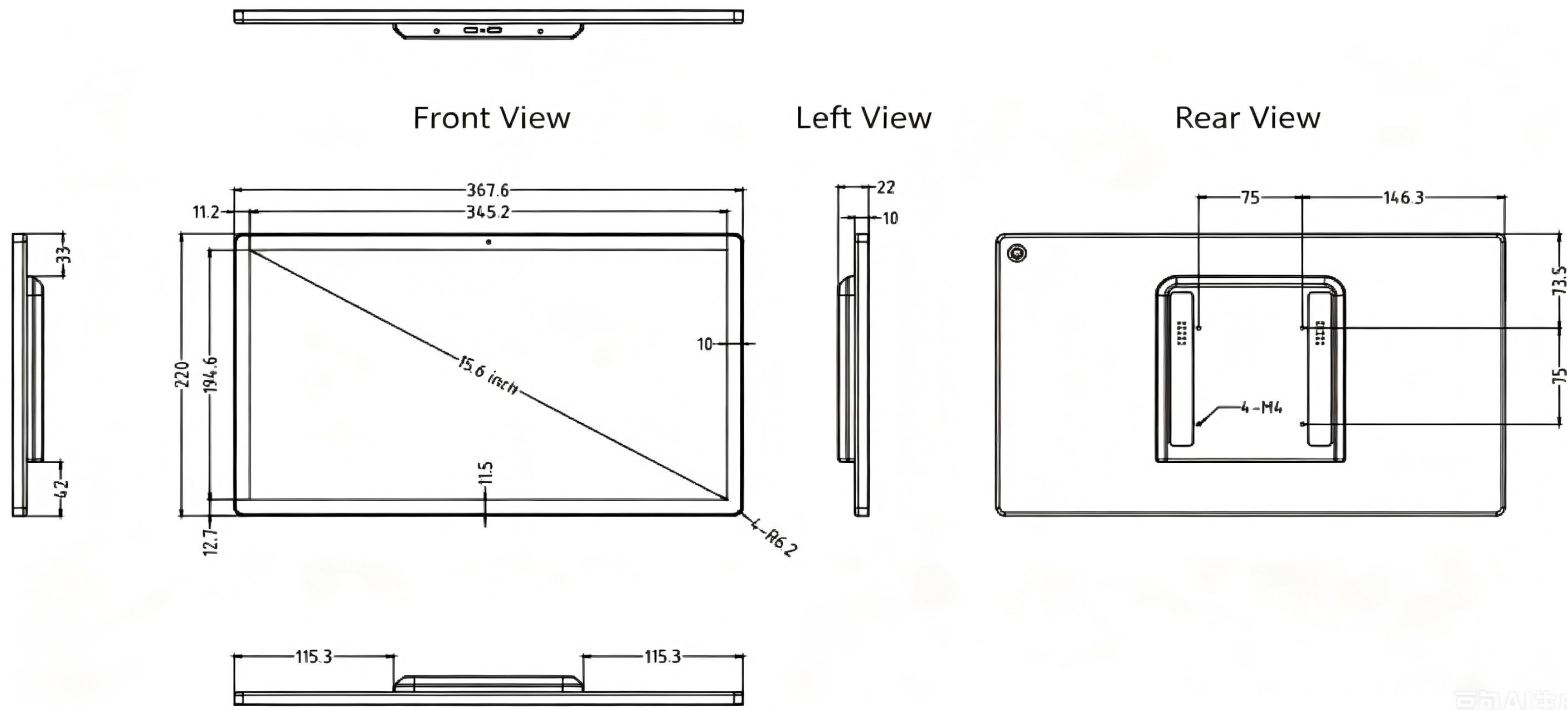
232/485 * 1

Power Socket * 1

HDMI out * 1

Audio in&out * 1

Dimension Drawing



触控宝

Use Case

